

# PERMANENT MAGNET D.C. GEAR MOTORS (WORM - R TYPE)



PM3

ROTOMAG presents a range of Compact, Lightweight geared motors for industrial applications. These motors feature aluminum die-cast gearboxes with centrifugally spin cast bronze worm gears. Worms are hardened and profile ground. Synthetic lubrication eliminates re-greasing and maintenance.

## R TYPE with SPDP Motors (SN-Series)

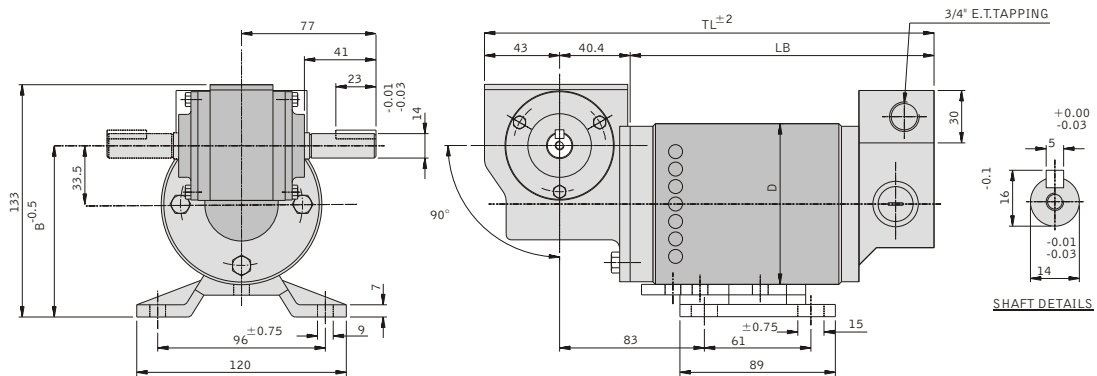
### FOOT MOUNTING



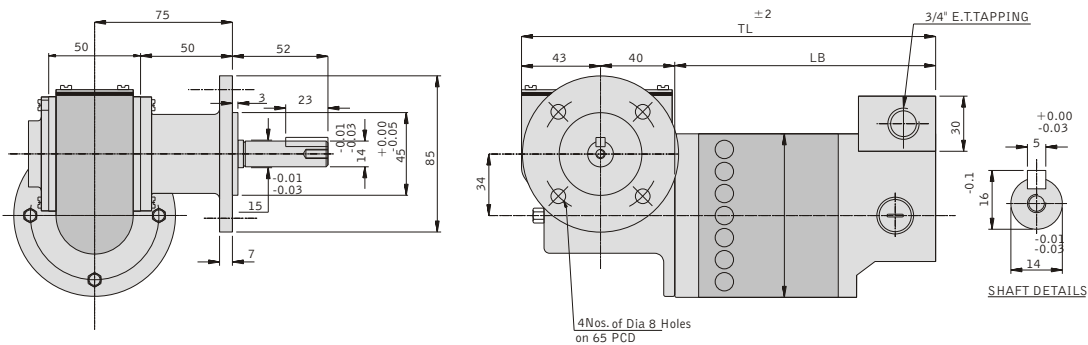
### FLANGE MOUNTING



#### FOOT MOUNTING DIMENSIONS:



#### FLANGE MOUNTING DIMENSIONS:



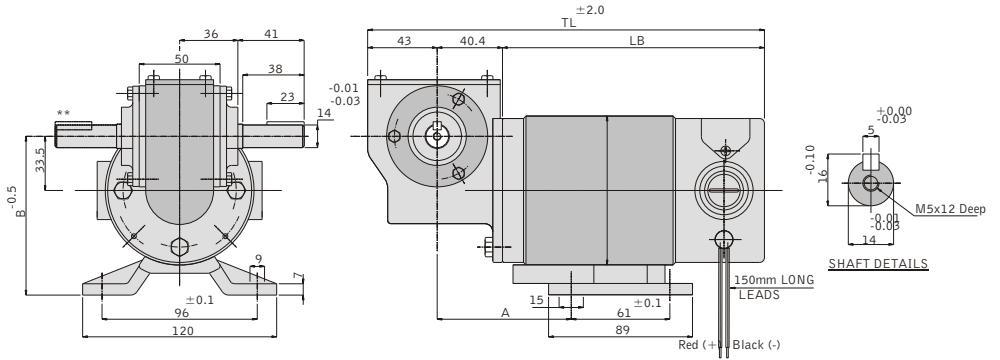
## SPECIFICATIONS

HP/ Watts	Frame- Size	Volts		Motor RPM	Gear Ratio	Gear RPM	Amps		Torque (Kg-cm)	Mounting	Type	Protec- tion	Duty	Ins. Class	Dimensional Details				Weight (Kgs.) FL/FT
		V1	V2				I1	I2							B	ΦD	LB	TL	
0.10/75	S1NR	24	180	1925	55	35	4.2	0.6	104	FT/FL	SPDP	IP-21	S1	B	89	89	142	225	4.5/4.8
0.10/75	S1NR	24	180	2240	32	70	4.2	0.6	52	FT/FL	SPDP	IP-21	S1	B	89	89	142	225	4.5/4.8
0.10/75	S1NR	24	180	2240	16	140	4.2	0.6	26	FL/FL	SPDP	IP-21	S1	B	89	89	142	225	4.5/4.8
0.10/75	S1NR	24	180	3200	16	200	4.2	0.6	18	FT/FL	SPDP	IP-21	S1	B	89	89	142	225	4.5/4.8
0.25/180	S2NR	24	180	1925	55	35	9.4	1.3	257	FT/FL	SPDP	IP-21	S1	B	92	92	174	257	6.5/6.8
0.25/180	S2NR	24	180	2240	32	70	9.4	1.3	129	FT/FL	SPDP	IP-21	S1	B	92	92	174	257	6.5/6.8
0.25/180	S2NR	24	180	1600	16	100	9.4	1.3	90	FT/FL	SPDP	IP-21	S1	B	92	92	174	257	6.5/6.8
0.25/180	S2NR	24	180	2240	16	140	9.4	1.3	64	FL/FL	SPDP	IP-21	S1	B	92	92	174	257	6.5/6.8
0.25/180	S2NR	24	180	3200	16	200	9.4	1.3	45	FT/FL	SPDP	IP-21	S1	B	92	92	174	257	6.5/6.8

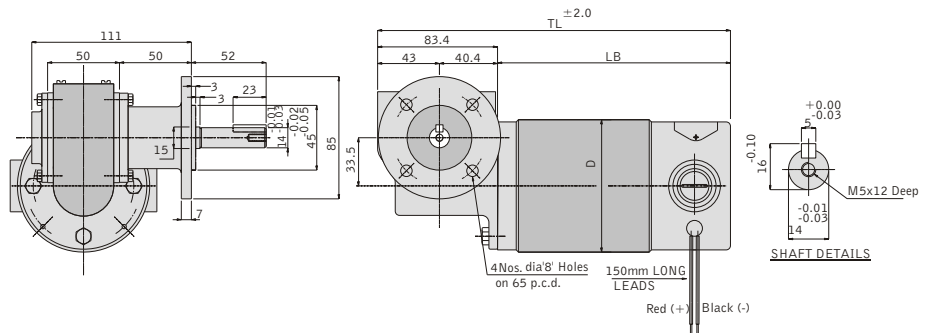
FL: - FLANGE MOUNTING & FT: - FOOT MOUNTING \*Double ended shaft available on request

## R-TYPE with TENV Motors (K-Series & AB-Series)

### FOOT MOUNTING



### FLANGE MOUNTING



### SPECIFICATIONS

Frame Size	HP / Watts	Volts		Motor RPM	Gear Ratio	Gear RPM	AMP		Torque (Kg-cm)	Duty	INS. Class.	Protection	Dimensional Details					Weight Kg. FT/FL
		V1	V2				I1	I2					DIM 'A'	DIM 'B'	DIA 'D'	LB	TL	
K1-R	0.05/40	24	-	1925	55	35	2.2	-	56	S1	F	IP-44	-	-	75	101	175	2.8/3.1
K1-R	0.05/40	24	-	2240	32	70	2.2	-	28	S1	F	IP-44	-	-	75	101	175	2.8/3.1
K1-R	0.05/40	24	-	1600	16	100	2.2	-	19	S1	F	IP-44	-	-	75	101	175	2.8/3.1
K1-R	0.05/40	24	-	3200	16	200	2.2	-	9	S1	F	IP-44	-	-	75	101	175	2.8/3.1
K2-R	0.10/80	24	90	1925	55	35	4.4	1.1	110	S1	F	IP-44	77	89.5	75	129	213	4.5/4.8
K2-R	0.10/80	24	90	2240	32	70	4.4	1.1	55	S1	F	IP-44	77	89.5	75	129	213	4.5/4.8
K2-R	0.10/80	24	90	1600	16	100	4.4	1.1	39	S1	F	IP-44	77	89.5	75	129	213	4.5/4.8
K2-R	0.10/80	24	90	3200	16	200	4.4	1.1	19	S1	F	IP-44	77	89.5	75	129	213	4.5/4.8
AB1-R	0.08/60	24	90	1925	55	35	3.0	0.8	83	S1	F	IP-44	83	96	88.5	144	227	4.5/4.8
AB1-R	0.08/60	24	90	2240	32	70	3.0	0.8	42	S1	F	IP-44	83	96	88.5	144	227	4.5/4.8
AB1-R	0.08/60	24	90	1600	16	100	3.0	0.8	29	S1	F	IP-44	83	96	88.5	144	227	4.5/4.8
AB1-R	0.08/60	24	90	3200	16	200	3.0	0.8	15	S1	F	IP-44	83	96	88.5	144	227	4.5/4.8
AB2-R	0.20/150	24	180	1925	55	35	8.3	1.1	208	S1	F	IP-44	83	98	92	162	245	6.5/6.8
AB2-R	0.20/150	24	180	2240	32	70	8.3	1.1	104	S1	F	IP-44	83	98	92	162	245	6.5/6.8
AB2-R	0.20/150	24	180	1600	16	100	8.3	1.1	73	S1	F	IP-44	83	98	92	162	245	6.5/6.8
AB2-R	0.20/150	24	180	3200	16	200	8.3	1.1	36	S1	F	IP-44	83	98	92	162	245	6.5/6.8

While ordering please specify H.P., Frame size, Voltage, RPM, Duty Cycle, Type of mounting.  
(Designs being continuously improved, please re-confirm specifications & dimensions prior to ordering)

All ROTOMAG motors have Ball Bearings with high temperature grease, Trickle/Vacuum impregnation, Silver Bearing copper commutators, class B/F/H insulation, Dynamically balanced Rotors, Hot staked / Brazed / TIG Welded commutator joints, Over sized Brushes and Superior Aesthetics.

### Rotomag Motors & Controls Pvt. Ltd.

7/C, Vitthal Udyognagar, Near Anand, Gujarat 388121, INDIA.

Tel: +91 - 2692 - 236005 / 236409; Fax: +91 - 2692 - 235209; E-mail: sales@rotomag.com; www.rotomag.com