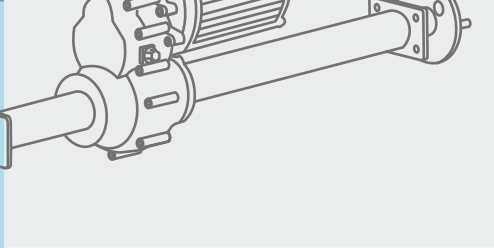
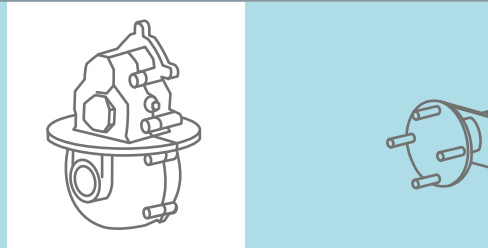
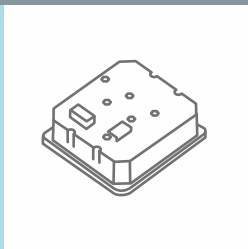
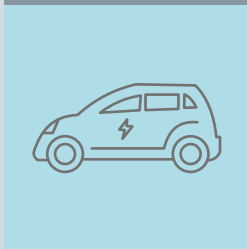
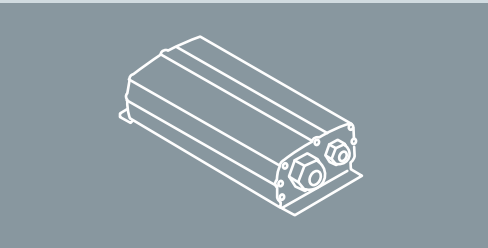
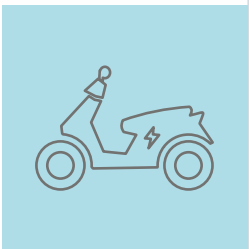
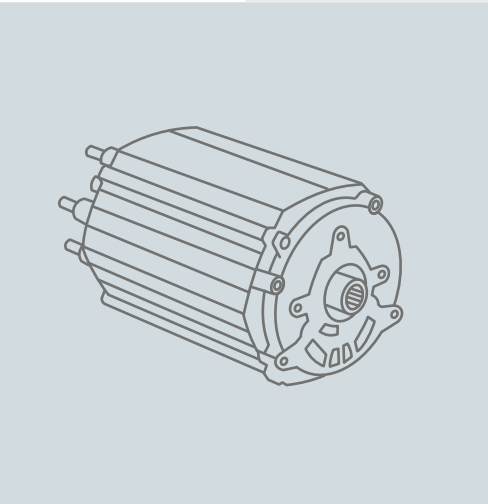
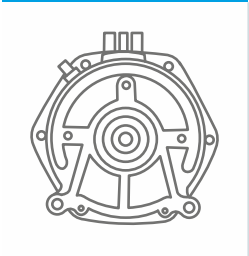
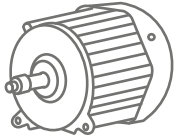
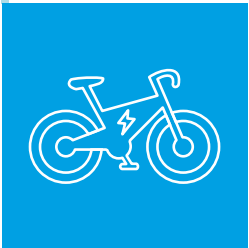





rotodrive
Powering e-mobility




DRIVE SOLUTIONS FOR E-VEHICLES




Rotodrive is unit of Rotomotive Powerdrives India Limited, part of Rotomag group, which since 25 years has been a leading manufacturer of PMDC motors, BLDC motors, AC motors, Gearboxes for a variety of battery operated applications, industrial as well as marine applications. Rotodrive Drive Solutions are ideally suited for harsh Indian conditions and high temperature fluctuations. After extensive in-house research and rigorous testing, the Rotodrive drive solutions offer higher reliability and superior performance which ensures that the e-vehicles using the drive train would benefit from a higher return on investment. A pan India support network ensures a quick response to customer needs.



Leader in Permanent Magnet & BLDC Motors in India




12 Lacs+ motors & Gearboxes installed



Core competence in PMDC, BLDC, AC, and Gear motor technologies




Joint ventures with European partners



Large production capacity & 2 lacs sq. feet factory space to facilitate quick ramp up



Exports to 35 countries globally



Supplies to critical applications like Automotive, Wind, Marine, Railways

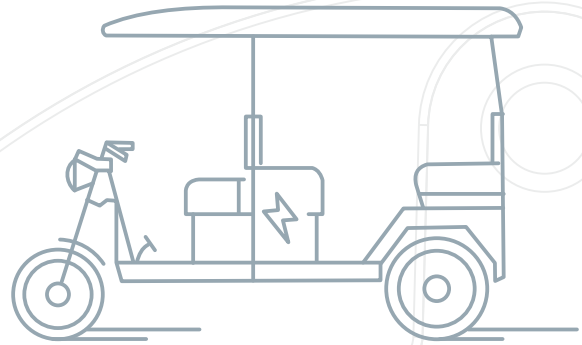
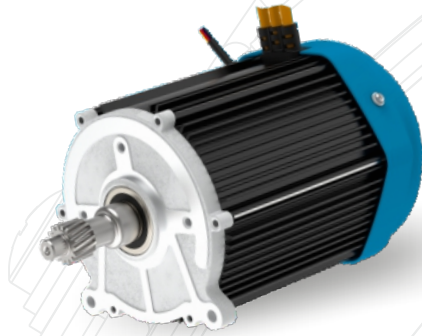


55+ service centres in India



500 employees



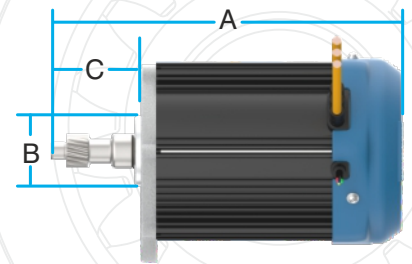


MAIN FEATURES

- RngMX Motor • BLDC Motor • Fan Cooled • Hall Sensor • IP - 65
- Pinion Shaft & Keyway Shaft • Efficient Motor (BLDC \geq 80%, RngMX \geq 85% Efficiency)

RngMX MOTOR SPECIFICATIONS & DIMENSIONS

Power (kW)	Rated Voltage (VDC)	Rated Torque (Nm)	Rated Current (Amps DC)	Rated Speed (RPM)	Pinion Data		Dimensional Data		
					Module	No. of Teeth	A	B	C
1	48	2.8	24.5	3400	1.25	16	212	50	66
1.2		3.4	29.5	3400					
1.5		3.7	37	3900					
2		5	49	3900			242		

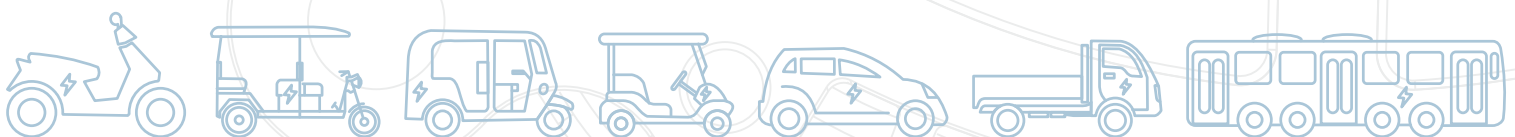


BLDC MOTOR SPECIFICATIONS & DIMENSIONS

Power (kW)	Rated Voltage (VDC)	Rated Torque (Nm)	Rated Current (Amps DC)	Rated Speed (RPM)	Pinion Data		Dimensional Data		
					Module	No. of Teeth	A	B	C
1	48	3.5	32	3000	1.25	16	212	50	66
1.2		4.1	35						
1.5		4.9	49	3500					
2		5	60	3600			242		

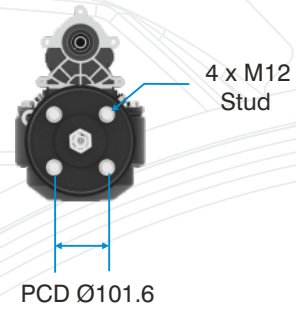
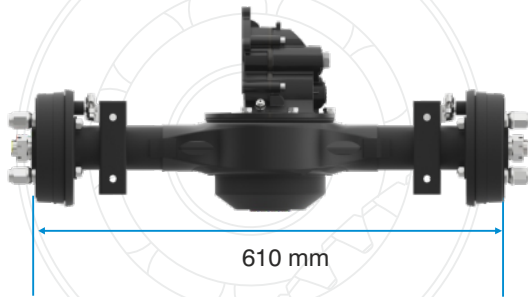
CONTROLLER SPECIFICATIONS

Power (kW)	Voltage (VDC)	Max. Current (Amps DC)	Cooling	Efficiency
1	48	50	Naturally Cooled	\geq 80%
1.2		55		
1.5		60		
2		80		





GEARBOX & DIFFERENTIAL SPECIFICATIONS



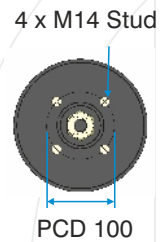
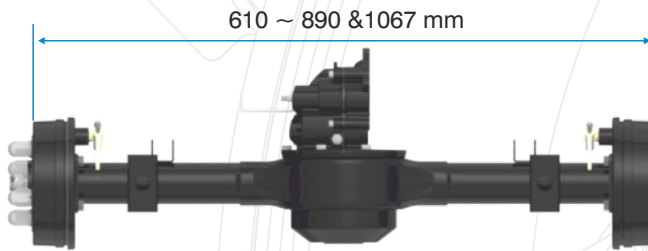
Single Speed Rigid Type Differential

Power (kW)	Size (mm)	Ratio (l)	Torque (Nm)	Brake
1	610	1:8.3 / 1:10 / 1:20.8	26 / 32 / 66	Ø130 Drum brake
1.2			31 / 37 / 77	
1.5			31 / 37 / 77	
2			37 / 45 / 94	

Double Speed Rigid Type Differential

Power (kW)	Size (mm)	Ratio (l)	Torque (Nm)	Brake
1	610	1:8.3 & 1:20.8	26 & 66	Ø130 Drum brake
1.2			31 & 77	
1.5			31 & 77	
2			37 & 94	

GEARBOX & DIFFERENTIAL SPECIFICATIONS



Single Speed Rigid Type Differential

Power (kW)	Size (mm)	Ratio (l)	Torque (Nm)	Brake
1	610~ 890 & 1067	1:8.3 / 1:10 / 1:20.8	26 / 32 / 66	Ø160 Drum & Ø180 hydraulic brake
1.2			31 / 37 / 77	
1.5			31 / 37 / 77	
2			37 / 45 / 94	

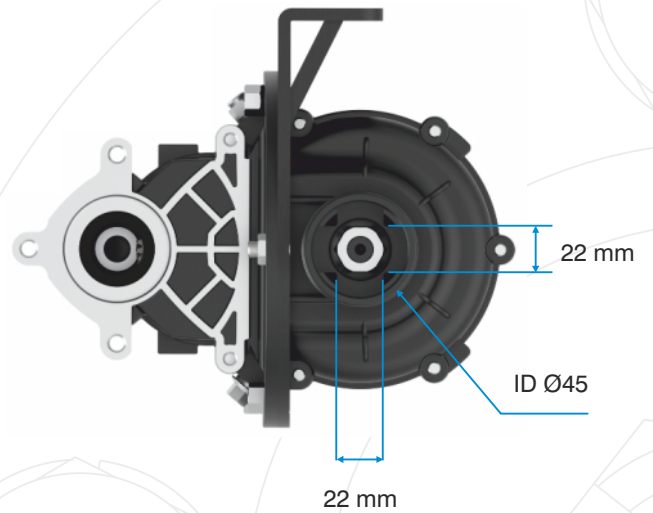
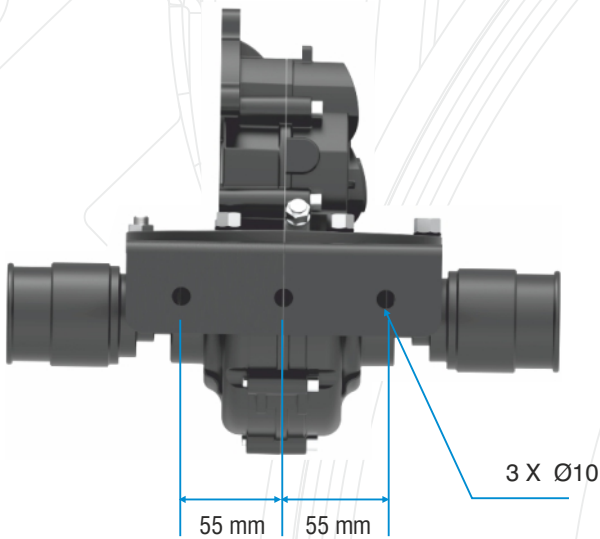
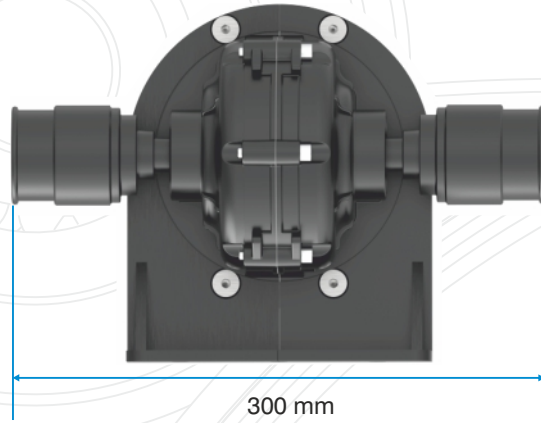
Double Speed Rigid Type Differential

Power (kW)	Size (mm)	Ratio (l)	Torque (Nm)	Brake
1	610~ 890 & 1067	1:8.3 & 1:20.8	26 & 66	Ø160 Drum & Ø180 hydraulic brake
1.2			31 & 77	
1.5			31 & 77	
2			37 & 94	





L3 FLOATING TYPE DIFFERENTIAL



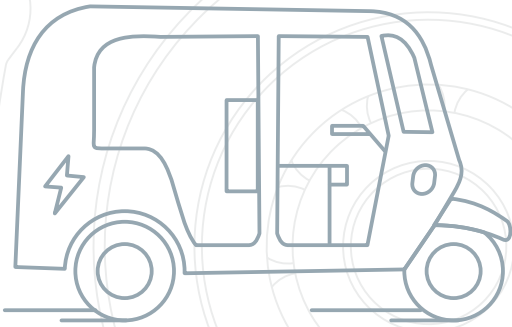
Single Speed Differential

Power (kW)	Size (mm)	Ratio (l)	Torque (Nm)	Cup Details
1	300	1:8.3 / 1:10 / 1:20.8	26 / 32 / 66	Biopod Cups
1.2			31 / 37 / 77	
1.5			31 / 37 / 77	
2			37 / 45 / 94	

Double Speed Differential

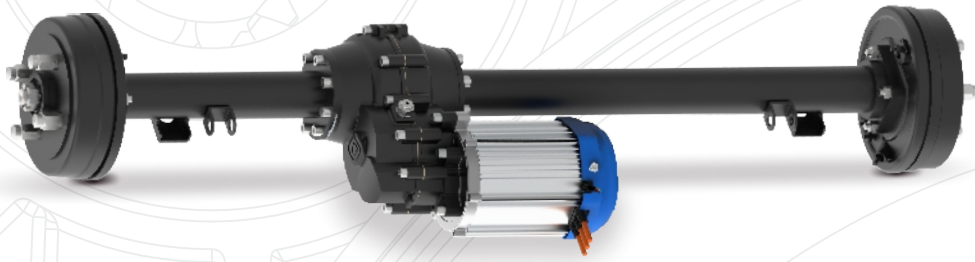
Power (kW)	Size (mm)	Ratio (l)	Torque (Nm)	Cup Details
1	300	1:8.3 & 1:20.8	26 & 66	Biopod Cups
1.2			31 & 77	
1.5			31 & 77	
2			37 & 94	





MAIN FEATURES

- Suitable for medium speed vehicle (MSV)
- Cost Effective (L3 < E2X < L5)
- Available with Mechanical & Hydraulic Brake (Rigid Type)
- Three Seperate Lead Wires
- Ingress Protection - IP65
- Motor with High Efficiency Sine Wave Technology
- Regeneration CAT A and CAT B
- Controller with Eco, Drive and Boost Mode



MOTOR SPEC.

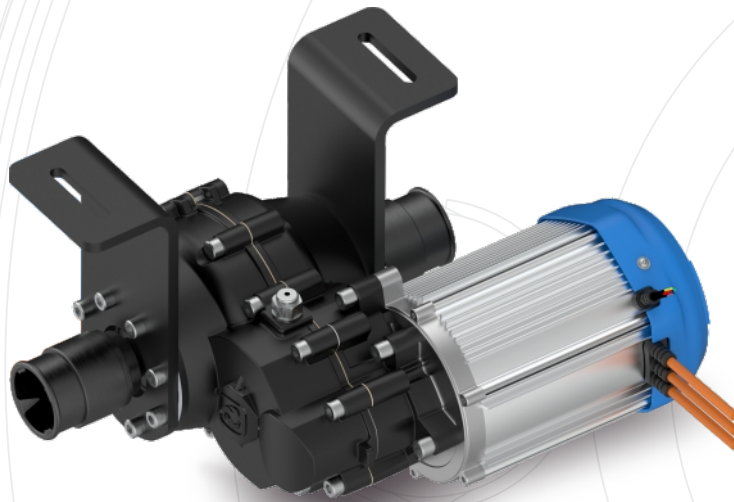
Power (kW)	Rated Voltage (VDC)	Rated Torque (Nm)	Rated Current (Amps DC)	Peak Power (kW)	Peak Torque (Nm)	Cooling
2	48/60	6.3	49 / 39	3	32	Fan Cooled

DIFFERENTIAL SPEC.

Size (mm)	Ratio I	Torque (Nm)	Brake
1067	8/10/12	46/57/68	Mechanical & Hydraulic

CONTROLLER SPEC.

Max Current Amps DC	Cooling
85	Natural Cooled



MOTOR SPEC.

Power (kW)	Rated Voltage (VDC)	Rated Torque (Nm)	Rated Current (Amps DC)	Peak Power (kW)	Peak Torque (Nm)	Cooling
2	48/60	6.3	49 / 39	3	32	Fan Cooled

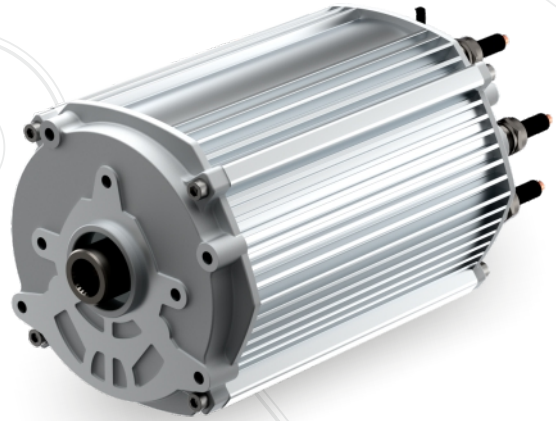
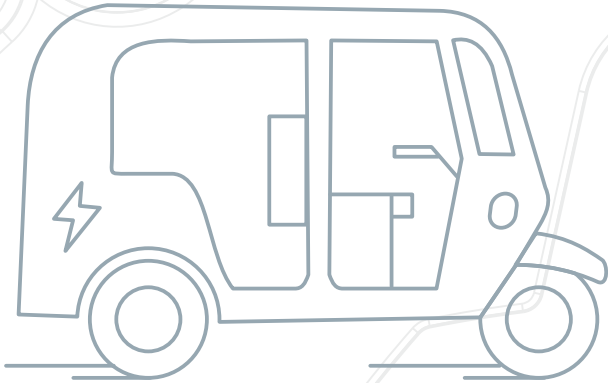
DIFFERENTIAL SPEC.

Size (mm)	Ratio I	Torque (Nm)	Cups Details
300	8/10/12	46/57/68	Bipod Cups

CONTROLLER SPEC.

Max Current Amps DC	Cooling
85	Natural Cooled



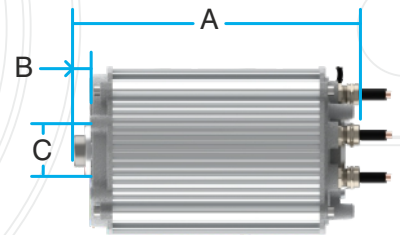


MAIN FEATURES

- PMSM Motor • Naturally Cooled • Encoder • IP - 65
- Internal Spline Shaft • Efficient Motor ($\geq 90\%$ - Efficiency)

MOTOR SPECIFICATIONS & DIMENSIONS

Power (kW)	Rated Voltage (VDC)	Rated Torque (Nm)	Rated Current (Amps DC)	Rated Speed (RPM)	Internal Spline Data		Dimensional Data		
					Module	No. of Spline	A	B	C
3	60	6.4	59	4500	1	18	256	16	50
4		8.5	79				276		
5		10.6	98				296		
6		12.7	118						

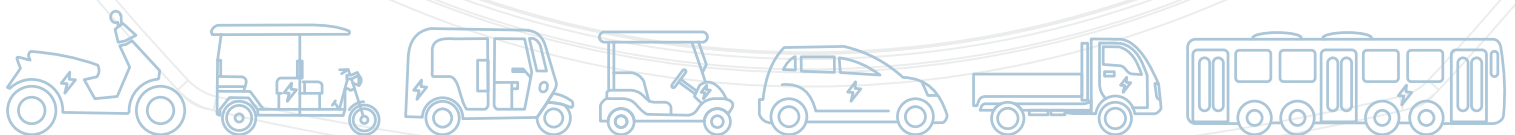


CONTROLLER SPECIFICATIONS



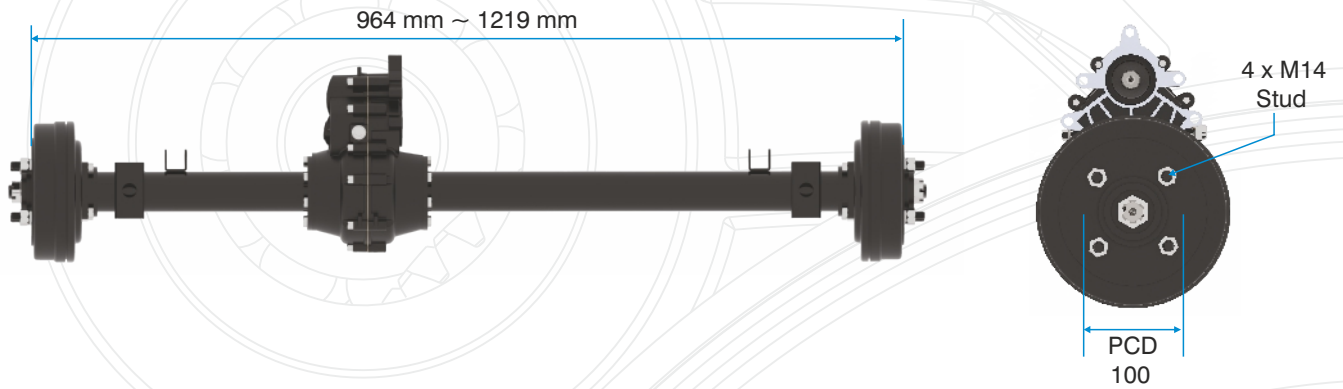
Power (kW)	Voltage (VDC)	Max. Current (Amps DC)	Cooling	Efficiency
3	60	100	Naturally Cooled	$\geq 90\%$
4		130		
5		190		
6		230		

Available with CAN



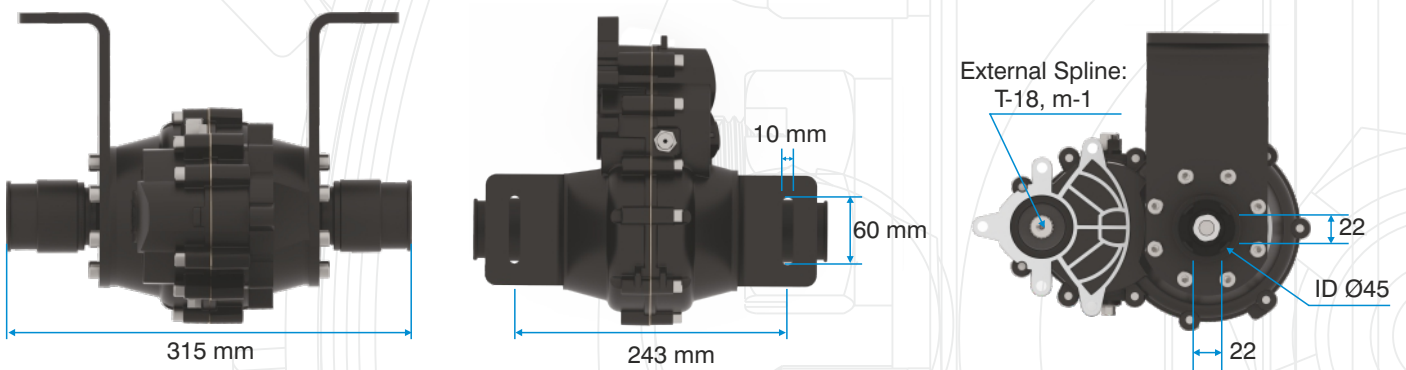


L5 SINGLE SPEED RIGID TYPE DIFFERENTIAL



Power (kW)	Size (mm)	Ratio (l)	Torque (Nm)	Brake
3	964 ~ 1219	1:8 / 1:10 / 1:12	68 / 86 / 103	Ø180 Hydraulic brake
4			92 / 114 / 137	
5			114 / 143 / 172	
6			137 / 171 / 205	

L5 SINGLE SPEED FLOATING TYPE DIFFERENTIAL



Power (kW)	Size (mm)	Ratio (l)	Torque (Nm)	Cup Details
3	315	1:8 / 1:10 / 1:12	68 / 86 / 103	*Biopod cups
4			92 / 114 / 137	
5			114 / 143 / 172	
6			137 / 171 / 205	



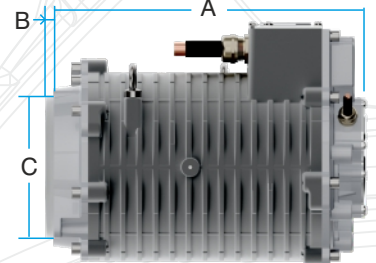


MAIN FEATURES

- PMSM Motor • Naturally Cooled • Liquid Cooled • Encoder • IP - 65
- Internal Spline Shaft • Efficient Motor ($\geq 90\%$ - Efficiency)

MOTOR SPECIFICATIONS & DIMENSIONS

Series	Power (kW)	Rated Voltage (VDC)	Rated Torque (Nm)	Rated Current (Amps DC)	Rated Speed (RPM)	Internal Spline Data		Dimensional Data			
						Module	No of Splines	A	B	C	
E10 Series	6	60	19	111	3000	1	18	200	9	155	
	7.5	72	23.8	115				220			
	10		31.8	154							
E15 Series	12	96	45.8	138	2500	1	18	355	9	155	
	13.8	92	26	156							5100
	15	96	57.3	160							2500
			29	184							5000



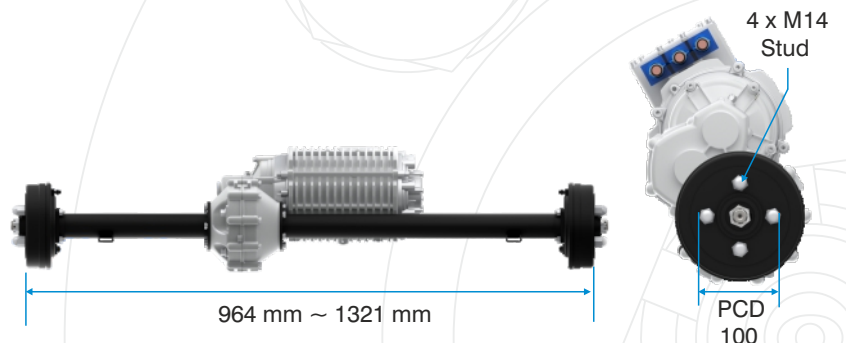
CONTROLLER SPECIFICATIONS

Series	Power (kW)	Voltage (VDC)	Max. Current (Amps DC)	Cooling	Efficiency
E10 Series	6	60	200	Naturally Cooled	$\geq 90\%$
	7.5	72	160		
	10		200		
E15 Series	12	96	325	Naturally Cooled	$\geq 90\%$
	15	96	420		



DIFFERENTIAL SPECIFICATIONS

Series	Power (kW)	Size (mm)	Ratio (I)	Torque (Nm)	Break
E10 Series	6	964 ~ 1219	1:10/ 1:16	171/274	Ø180 Hydraulic brake
	7.5			214/343	
	10			286/458	
E15 Series	12	964 ~ 1219	1:10/ 1:16	412/660	Ø180 Hydraulic brake
	13.8			234/374	
	15			516/825	



MANUFACTURING CAPABILITIES



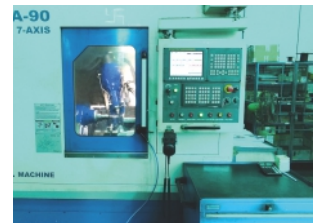
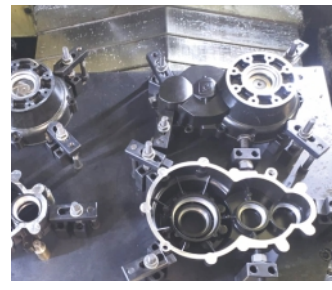
GEAR MANUFACTURING



WINDING & IMPREGNATION



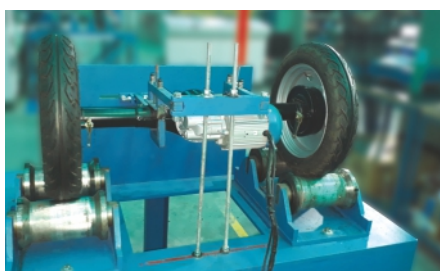
FABRICATION



HOUSING MACHINING



ASSEMBLY



TESTING

ROTOMAG

DC MOTORS FOR
INDUSTRIAL APPLICATIONS

www.rotomag.com

ROTOMAG
Water from the Sun

SURFACE & SUBMERSIBLE
SOLAR PUMPS

www.rotosol.solar

rotomotive
looks good. performs better.

AC MOTORS AND
GEARBOXES

www.rotomotive.com

 **CYCLO**

PLANETARY & CYCLODIAL
GEARBOXES

www.cyplagear.com

 **rotodrive**
Powering e-mobility

Rotomotive Powerdrives India Ltd.

223, Napa Talpad, Gana-Borsad Road,
Tal: Borsad, Anand-388560 Gujarat, India

Phone : +91 93167 49042 / +91 93279 22250

Email : rotodrive@rotomotive.com

Web : www.rotodrive.com

Technical specifications/details mentioned in this leaflet are subject to change without prior notice.
Please contact our sales/marketing team for any updated information or any change done.



Rotodrive™ is a brand of Rotomotive Powerdrives India Ltd.